

Plug-on Display Option: Limit Contact Model AA



- ◆ Plug-on to Transmitter with 4-20 mA Output and Plug according to DIN 43 650
- ◆ No additional Auxiliary Power required
- ◆ Easy to scale with two keys
- ◆ Compact Sandwich Design
- ◆ Good Readability with LED Display
-1999...+1999
- ◆ Option:
Open-collector output
PNP, max. 90 mA

**Cost Effective
Measurement Technology**

INTERIN GmbH
Nordring 24
D-65719 Hofheim/Ts.
Tel: +49 (0)6192 958 612-70
Fax: +49 (0)6192 958 612-99
E-Mail: info@interin.de
Internet: www.interin.de

Plug-on Display Model AA

No responsibility taken for errors; subject to change without prior notice. 08 / 2007

Description

The INTERIN plug-on display model AA is a universal local display suitable for use with various transmitters. The transmitter must be fitted with an analogue output and a connector in accordance with DIN 43 650.

The plug-on display is simply plugged in between connector and socket; it is then ready for operation.

The plug-on display is user programmable. Scaling, the position of the decimal point, gate time and switch point (optional) may be set with two keys. The menu steps are output to the LED display field.

The plug-on display is supplied by the current loop of the 4 - 20 mA signal transmitter. No additional auxiliary power is required. The programmed parameters are stored in an EEPROM; they are therefore not lost after power failure.

Overrange or underflow are displayed as a message on the LED display. All device functions are continuously monitored by an integral diagnostic system.

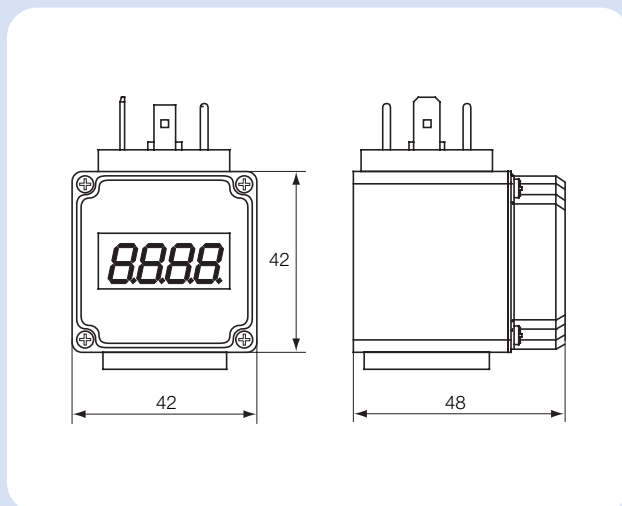
The indicating unit can be rotated in 90° steps; it can thus be adapted to different installation positions.

The integral open-collector output, available as an option, allows a transmitter to be retrofitted easily with a limit contact.

Technical Specifications

Display:	4-digit red LED display, Digit height: 7.62 mm Programmable decimal point setting
Indicating range:	-1999 to +9999
Accuracy:	0.2% of span ± 1 digit
Electrical connection:	To transmitters with 4 - 20 mA output and plug acc. DIN 43 650 (4-pin), polarized
Sensor supply:	Not required, 4 - 20 mA loop powered
Max. current load:	max. 60 mA
Voltage drop:	≤ 5 V
Conversion rate:	Three measurements/s
Gate time:	0.3 - 20 s, adjustable
Data back-up:	Non-volatile EEPROM
Error-indication:	HI: overrange LO: underflow
Programming:	With two keys, menu-assisted, scaling of indication, decimal point, gate time, error indication, switch point (optional)
Housing material:	Plastic Pa 6 GF30, front cover: red PMMA
Protection type:	IP 65
Temperature influence on display:	0.1 % / 10 K
Ambient temperature:	0... + 60 °C
Storage temperature:	-30... + 80 °C

Dimensions



Applications

- ◆ Pressure sensors
- ◆ Temperature sensors
- ◆ Level-information transmitters
- ◆ Flow sensors
- ◆ Servicing

Prices valid to 30/04/2008

Order Details (Example: AA-1200)

Model	Description
AA-1200	Plug-on display standard
AA-1201	Plug-on display with open collector

Delivered Items

Plug-on display,
Flat gasket ring,
Fixing screws,
Operating instruction,
Dimensions (stickers)