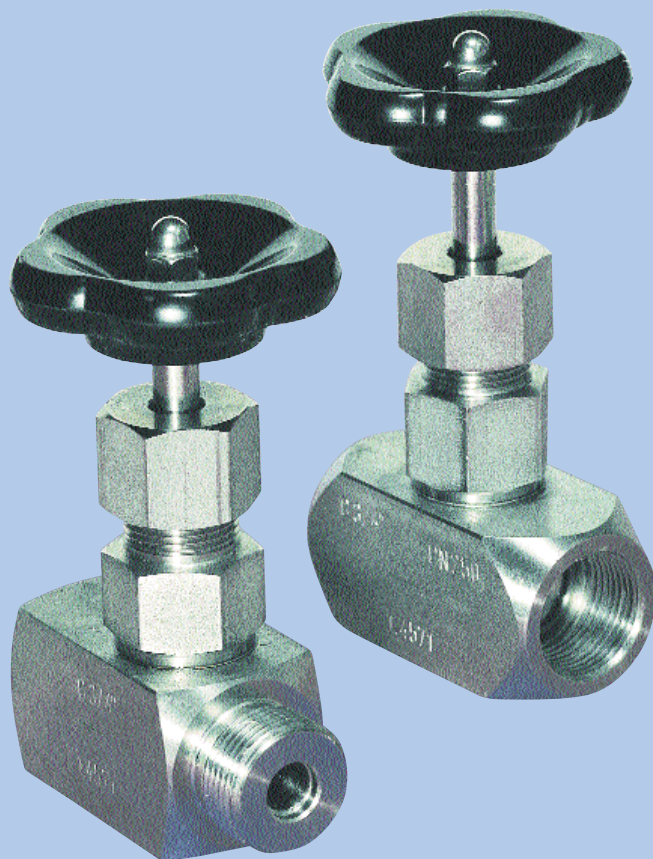


## Stainless Steel Needle-Valves Model AN



- ◆ Pressure: PN 250 bar
- ◆ Temperature: max. 120 °C
- ◆ Material: Stainless steel
- ◆ Connection: G 1/8... G 1 1/4

**Cost Effective  
Measurement Technology**

INTERIN GmbH  
Nordring 24  
D-65719 Hofheim/Ts.  
Tel: +49 (0)6192 958 612-70  
Fax: +49 (0)6192 958 612-99  
E-Mail: [info@interin.de](mailto:info@interin.de)  
Internet: [www.interin.de](http://www.interin.de)

# Stainless Steel Needle-Valves Model AN

No responsibility taken for errors; subject to change without prior notice. 08 / 2007

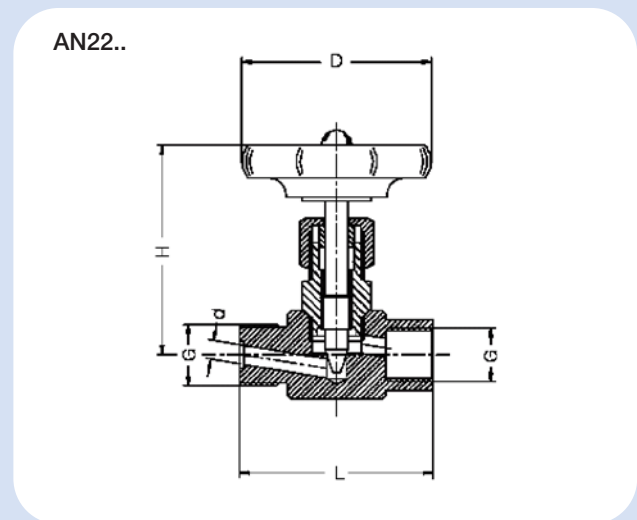
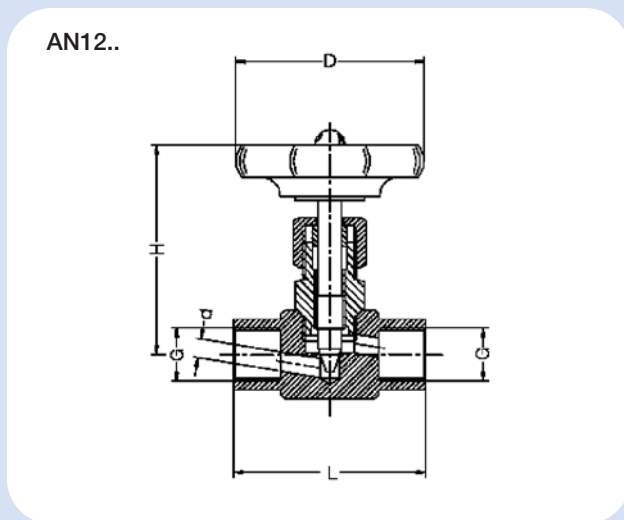
## Description

The INTERIN needle-valves of model AN are used in order to regulate flow of liquids manually. There are two thread-types available for these units for optimal suitability, to choose from.

## Technical Details

Housing: Stainless steel, 1.4571  
 Spindle: Stainless steel, 1.4571  
 Gasket: PTFE  
 Max. temperature: +120°C  
 Max. pressure: PN 250 bar

## Dimensions



Model	G	L (mm)	t (mm)	H (mm)	D (mm)	d (mm)
AN-...06	1/8	45	10	74	50	4
AN-...08	1/4	50	13	73	50	4*
AN-...10	3/8	55	14	72	50	6
AN-...15	1/2	60	16	83	63	8
AN-...20	3/4	75	18	100	63	10
AN-...25	1	100	22	110	80	12
AN-...32	1 1/4	120	24	135	100	15

\* with Model AN-12xx... 5 mm

## Order Details (Example: AN-1206)

Flow L/h H <sub>2</sub> O	Connection	Version female/male Order No.	Version female/female Order No.
4.5	G 1/8	AN-2206	AN-1206
8	G 1/4b	AN-2208	AN-1208
9	G 3/8	AN-2210	AN-1210
12.5	G 1/2	AN-2215	AN-1215
20	G 3/4	AN-2220	AN-1220
45	G 1	AN-2225	AN-1225
60	G 1 1/4	AN-2232	AN-1232

\* at maximum valve-opening, and a pressure loss of 1 bar