

## Rotating Vane Type Flow Indicator Model FF



- ◆ Indication Range:  
0.14 - 2... 1.8 - 83 L/min  
Water
- ◆ Pressure: max. 6 bar
- ◆ Temperature: max. 120°C
- ◆ Material: Brass  
Rotating Vane: POM or PTFE
- ◆ Connection: G 1/8... G 1

**Cost Effective  
Measurement Technology**

INTERIN GmbH  
Nordring 24  
D-65719 Hofheim/Ts.  
Tel: +49 (0)6192 958 612-70  
Fax: +49 (0)6192 958 612-99  
E-Mail: [info@interin.de](mailto:info@interin.de)  
Internet: [www.interin.de](http://www.interin.de)

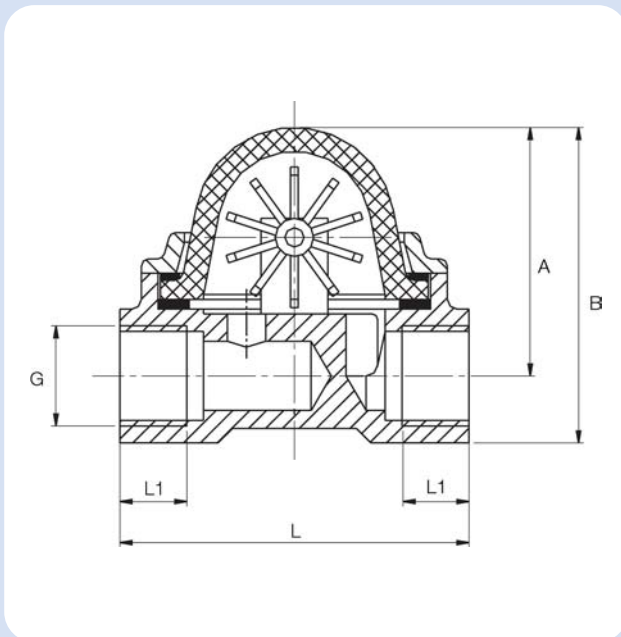
# Rotating Vane Type Flow Indicator Model FF

No responsibility taken for errors; subject to change without prior notice. 08 / 2007

## Description

INTERIN rotating vane flow indicators of model FF are employed where a visual indication of liquid-flow is desired. The flow current rotates the vane inside the glass dome. With this arrangement, the vane can be easily seen even from a distant point of observation, whether the liquid-current is flowing through the passage or not.

## Dimensions



## Technical Details

Housing:	Brass, Ms 58
Ring:	Brass, Ms 58
Ball:	FF-18...: POM FF-19...: PTFE
Axle:	Brass, Ms 58
Glass dome:	Borosilicate glass
Sealing:	FF-18...: EPDM FF-19...: FPM
Screws:	Stainless steel
Max. temperature:	120°C
Max. pressure:	6 bar
Mounting position:	horizontal or vertical
Pressure loss:	approx. 1 bar at max. flow rate

## Applications

- ◆ Heating systems
- ◆ Cooling circuits
- ◆ Pumps
- ◆ Conveyer systems

Model	G	L1 [mm]	L [mm]	A [mm]	B [mm]
FF...06	1/8	8	56	41	50
FF...08	1/4	10	56	41	50
FF...10	3/8	14	73	53	67
FF...15	1/2	14	73	53	67
FF...20	3/4	16	109	72	94
FF...25	1	18	109	72	94

## Order Details (Example: FF-1806)

Connection Thread	Min. Flow rate (L/min water)	Max. Flow rate (L/min water)	Rotating Vane POM Order No.	Rotating Vane PTFE Order No.
G 1/8	0.14	2	FF-1806	FF-1906
G 1/4	0.25	7	FF-1808	FF-1908
G 3/8	0.45	18	FF-1810	FF-1910
G 1/2	0.60	28	FF-1815	FF-1915
G 3/4	1.0	61	FF-1820	FF-1920
G 1	1.8	83	FF-1825	FF-1925