

Ball-Type Flow Indicator Model FI



- ◆ Indication Range:
0.05 - 15...0.14 - 105 L/min
Water
- ◆ Pressure: max. 6 bar
- ◆ Temperature: max. 120°C
- ◆ Material: Brass
Ball: POM or PTFE
- ◆ Connection: G 1/8...G 1
- ◆ Mounting position:
horizontal

**Cost Effective
Measurement Technology**

INTERIN GmbH
Nordring 24
D-65719 Hofheim/Ts.
Tel: +49 (0)6192 958 612-70
Fax: +49 (0)6192 958 612-99
E-Mail: info@interin.de
Internet: www.interin.de

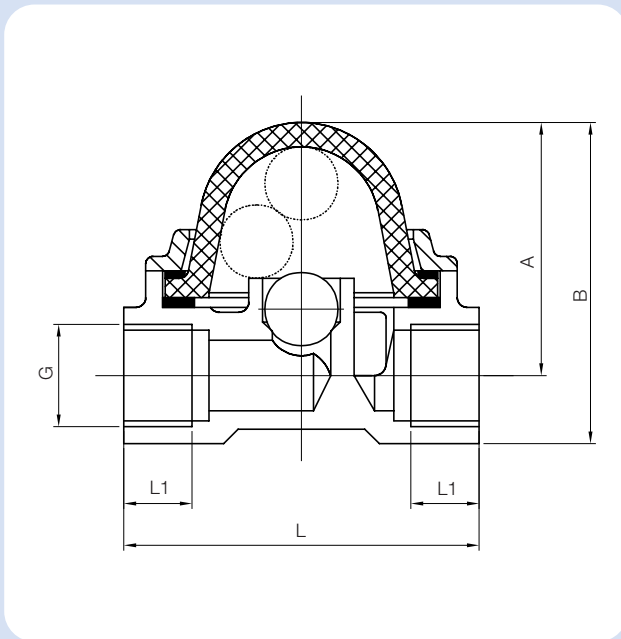
Ball-Type Flow Indicator Model FI

No responsibility taken for errors; subject to change without prior notice. 08 / 2007

Description

INTERIN ball-type flow indicators of model FI are employed where a visual indication of liquid-flow or gas-flow is desired. The flow current lifts up and rotates the ball inside the glass dome. With this arrangement, the ball can be easily seen even from a distant point of observation, whether the liquid-current is flowing through the passage or not.

Dimensions



Technical Details

Housing:	Brass, Ms 58
Ring:	Brass, Ms 58
Ball:	FI-18...: POM FI-19...: PTFE
Glass dome:	Borosilicate glass
Sealing:	FI-18...: EPDM FI-19...: FPM
Screws:	Stainless steel
Max. temperature:	120°C
Max. pressure:	6 bar
Mounting position:	horizontal
Pressure loss:	approx. 1 bar at max. flow rate

Applications

- ◆ Heating systems
- ◆ Cooling circuits
- ◆ Pumps
- ◆ Conveyer systems

Model	G	L1 [mm]	L [mm]	A [mm]	B [mm]
FI...06	1/8	8	56	41	50
FI...08	1/4	10	56	41	50
FI...10	3/8	14	73	53	67
FI...15	1/2	14	73	53	67
FI...20	3/4	16	109	72	94
FI...25	1	18	109	72	94

Order Details (Example: FI-1806)

Connection Thread	Min. Flow rate (L/min water)	Max. Flow rate (L/min water)	Ball POM	Ball PTFE
			Order No.	Order No.
G 1/8	0.05	15	FI-1806	FI-1906
G 1/4	0.05	20	FI-1808	FI-1908
G 3/8	0.06	45	FI-1810	FI-1910
G 1/2	0.07	50	FI-1815	FI-1915
G 3/4	0.18	105	FI-1820	FI-1920
G 1	0.14	105	FI-1825	FI-1925