

## Conductive Level Switch Model LK



- ◆ Pressure: max. 20 bar
- ◆ Temperature: max. 85°C
- ◆ Material:  
PPS (Rhyton) / Stainless Steel
- ◆ Connection: G  $\frac{3}{4}$

**Cost Effective  
Measurement Technology**

INTERIN GmbH  
Nordring 24  
D-65719 Hofheim/Ts.  
Tel: +49 (0)6192 958 612-70  
Fax: +49 (0)6192 958 612-99  
E-Mail: [info@interin.de](mailto:info@interin.de)  
Internet: [www.interin.de](http://www.interin.de)

# Conductive Level Switch Model LK

No responsibility taken for errors; subject to change without prior notice. 08 / 2007

## Description

The INTERIN level switch of model LK is a complete functional unit which is specially designed for monitoring conductive liquids under extreme conditions. Due to the design without any moving or protruding parts, the switches are very suitable for monitoring critical media with, for example solid content, negligible density or high viscosity. The double-thread allows a variety of installations. The length of the shaft can be extended by attaching an additional protective tube. The instruments operate on the conductive principle of measurement. The conductive medium touches both electrodes causing a negligible alternating current to flow; the output state changes.

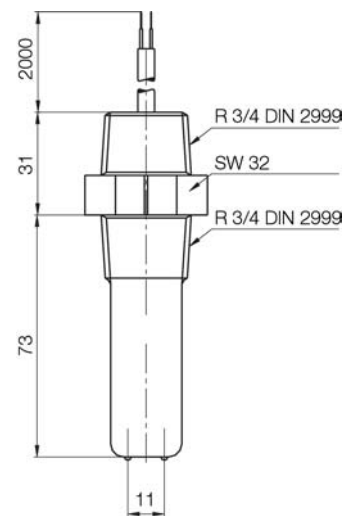
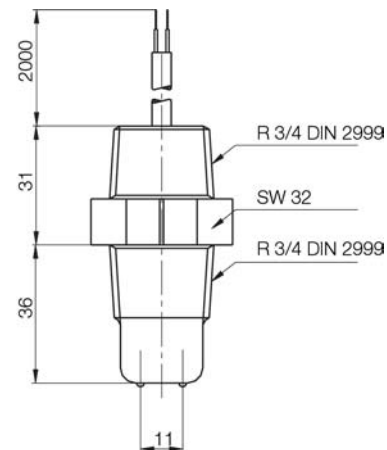
## Technical Details

Housing:	PPS (Rhyton)
Electrodes:	Stainless steel 1.4571
Connection:	R 3/4
Operating temperature:	-25 ... +85°C
Max. pressure:	20 bar
Installation position:	horizontal or vertical
Contact type:	Relay (floating change-over contact)
Electr. Connection:	2 m PVC cable
Power supply:	18-29 V <sub>DC</sub> , <20 mA
Response-delay:	Dry/Wet: 0.5 s Wet/Dry: 0.5 s
Response-sensitivity:	approx. 72 kΩ
Min. conductivity:	approx. 32 μS/cm
Switch capacity:	max. 1 A / 30 V, short-circuit proof
Protection type:	IP 68

## Applications

- ◆ Chemical tanks
- ◆ Fresh-water tanks
- ◆ Mixing vessels
- ◆ Run-dry protection for pumps

## Dimensions



## Order Details (Example: LK-1436)

Immersion Length	Contact	Conductive Level Switch LK Order No.
36 mm	Relay (changeover contact)	LK-1436
73 mm	Relay (changeover contact)	LK-1473