

Battery Powered Digital Manometer Model PD



- ◆ Measuring Range:
-1 -0 to 0-25 bar
- ◆ Temperature (Medium):
max. 85°C
- ◆ Accuracy Class: 0.5
- ◆ Material:
Stainless steel and Ceramic
- ◆ Connection: G ¼ male
- ◆ 4-digit LCD-Display
- ◆ Service through
key pad
- ◆ Option: Relay contact

**Cost Effective
Measurement Technology**

INTERIN GmbH
Nordring 24
D-65719 Hofheim/Ts.
Tel: +49 (0)6192 958 612 - 70
Fax: +49 (0)6192 958 612 - 99
E-Mail: info@interin.de
Internet: www.interin.de

Battery Powered Digital Manometer Model PD

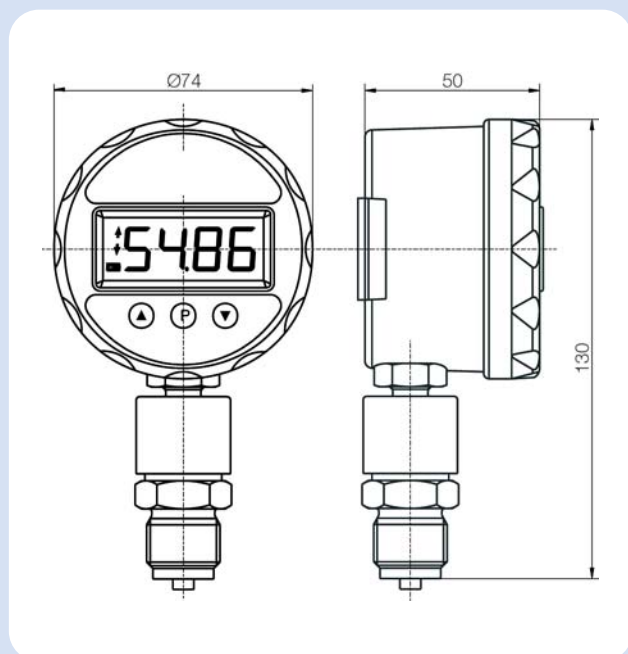
No responsibility taken for errors; subject to change without prior notice. 08 / 2007

Description

Intelligent Digital Manometers serve to display, monitor and tele-transmit pressure-dependent production processes in plants and machines. The pressure to be measured is sensed by a piezo-resistive sensor, and converted by the electronics to drive a display. Optionally, an analogue output signal for the tele-transmission as well as a relay output is available. The front-cover with display is rotatable through 350°.

The version with pressure-switch and relay has provision for adjustment through the key-pad for Switching-point and Hysteresis.

Dimensions



Technical Details

| | |
|----------------------------|---|
| Housing: | 74 mm, PA 6 GK 30, Polyester-foil |
| Connections: | G 1/4 male, Stainless steel 1.4571 |
| Sensor: | Ceramic (Al ₂ O ₃) |
| Sealing: | NBR |
| Max. Temperature: | Storage: -30...+60°C Medium: -30...+85°C Ambient: 0...+60°C |
| Allowed relative Humidity: | < 90 %, (no condensation) |
| Over-pressure safety: | 3 x measured value |
| Accuracy class: | 0.5 |
| Curve deviation: | ≤ ±0.5 % of measured value |
| Temperature-coefficient: | Zero point: ≤ ±0.2 % of meas. value /10 K Span: ≤ ±0.1 % of meas. value /10 K |
| Conversion rate: | 5 s |
| Autom. Turn-off times: | 2, 4, 8, 16, 32, 64 min (not with relay) |
| Aux. power supply: | 9 V Block battery |
| Standby time: | 5000 h (9 V Battery 600 mAh) 10000 h (9 V Lithium Battery 1200 mAh) (w.r.t 5 data samples per s) |
| Display: | 4-digit LCD Display, 12.7 mm |
| Relay (option): | bistable change-over |
| Max. switching voltage: | 30 V _{AC/DC} , 2 A |
| Electr. connection: | Plug M12x1 |
| Protection: | IP 65 |

Application

- ◆ Plant construction
- ◆ Environmental Technology
- ◆ Mechanical construction
- ◆ Hydraulics

Order Details (Example: PD-1231)

| Measuring range bar | Connection | without Contact Order No. | with Contact Order No. |
|---------------------|------------|---------------------------|------------------------|
| -1...0 | G 1/4 | PD-1231 | PD-2231 |
| 0...0.6 | G 1/4 | PD-1201 | PD-2201 |
| 0...1 | G 1/4 | PD-1202 | PD-2202 |
| 0...1.6 | G 1/4 | PD-1203 | PD-2203 |
| 0...2.5 | G 1/4 | PD-1204 | PD-2204 |
| 0...4 | G 1/4 | PD-1205 | PD-2205 |
| 0...6 | G 1/4 | PD-1206 | PD-2206 |
| 0...10 | G 1/4 | PD-1207 | PD-2207 |
| 0...16 | G 1/4 | PD-1208 | PD-2208 |
| 0...25 | G 1/4 | PD-1209 | PD-2209 |